

UV-C + UV-A + Lighting

SunClean Bulb Light

18W/24W/30W



Intelligent, Automatic Disinfection,
Air Cleaning & Lighting. 3-in-1.

Illuminates when people come. Disinfects when people leave.

Product Information

59S SunClean lighting is blazing the trail in integrating UV-C disinfection into LED lighting. This series of unprecedented health-protecting lighting products provide three-fold usage of surface disinfection, air-cleaning, and illumination. Boasting a disinfection rate up to 99.9%* - with no excess radiation, no ozone produced, and no residual chemicals- and a military-grade radar sensor to detect anyone around. SunClean is designed to keep people safe and healthy.

Features and Benefits

Intelligent, Automatic Disinfection, Air Cleaning & Lighting. 3-in-1.

• Seamless replacement



Upgrade to



99.9%

• Kills up to 99.9%
Of germs and virus



• Safety Design
With military-grade radar
Sensor ensures safe use

• Easy Installment & Operation



Convenient Installation

Remove the old LED bulb light or UFO light and install your SunClean™ UFO light just like any other.



Lighting Mode

Flip the switch ON to turn on.



Control Mode

Toggle the switch ON and OFF to control.



Disinfection Mode

- **3-hour Disinfection Mode:** Flip the switch **ON-OFF-ON** within 3 seconds to turn on. Disinfection stops automatically after 3 hours.
- **20-min Auto-Disinfection Mode:** Flip the switch **ON-OFF-ON-OFF-ON** within 3 seconds to turn on. Illuminates when people come. Disinfects when people leave.

Specifications

UFO Size: Φ 150mm

UFO Size: Φ 175mm

UFO Size: Φ 200mm

	UFO Size: Φ 150mm	UFO Size: Φ 175mm	UFO Size: Φ 200mm
Lighting Specifications			
Power	18W	24W	30W
Base Type	E26/E27	E26/E27	E26/E27
Luminous flux	>1530 lm	>1920 lm	>2550 lm
CCT	3000K / 4000K/5000K/6000K	3000K / 4000K/5000K/6000K	3000K / 4000K/5000K/6000K
Color Temperature Adjustable	NO	NO	NO
CRI	>80	>80	>80
Lamp Lifespan	>15,000 hrs	>15,000 hrs	>15,000 hrs
UV Specifications			
Diode Type	UV-C LED	UV-C LED	UV-C LED
Power	18W	18W	18W
UV Energy	180mW	180mW	180mW
Disinfection Area	4 x 4m (16m ²)	4 x 4m (16m ²)	4 x 4m (16m ²)
Disinfection Modes	30-min Automatic mode, 3-hrs Intensive mode	30-min Automatic mode, 3-hrs Intensive mode	30-min Automatic mode, 3-hrs Intensive mode
Detection Sensor	5.8G	5.8G	5.8G
Beam Radius	90°	90°	90°
Wavelength	260-285nm	260-285nm	260-285nm
Lamp Lifespan	>5000 hrs	>5000 hrs	>5000 hrs
Electrical Specifications			
Voltage Operation	100-240V AC 50/60Hz	100-240V AC 50/60Hz	100-240V AC 50/60Hz
Modes	Manual switch mode / radar sensor automatic mode	Manual switch mode / radar sensor automatic mode	Manual switch mode / radar sensor automatic mode
Physical Specifications			
Body	Plastic	Plastic	Plastic
Body Color	White	White	White
Dimension	Φ 150 x 72mm	Φ 175x72mm	Φ 200x72mm
Weight	240g	280g	330g
Operating Temperature	-10~40°C	-10~40°C	-10~40°C
Certifications and Warranty			
Certification	FCC, CE	FCC, CE	FCC, CE
Warranty	1 Years	1 Years	1 Years

+ UL on process

Application areas



Office



School



Clinics



Shops



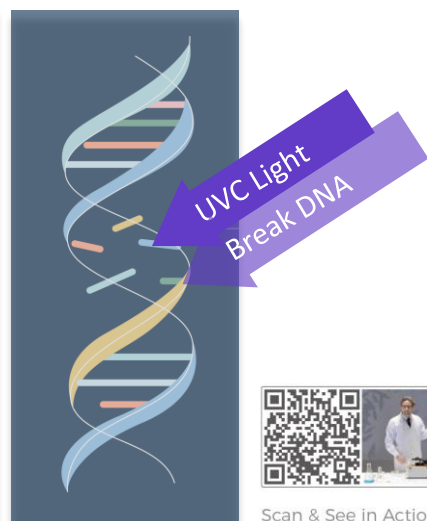
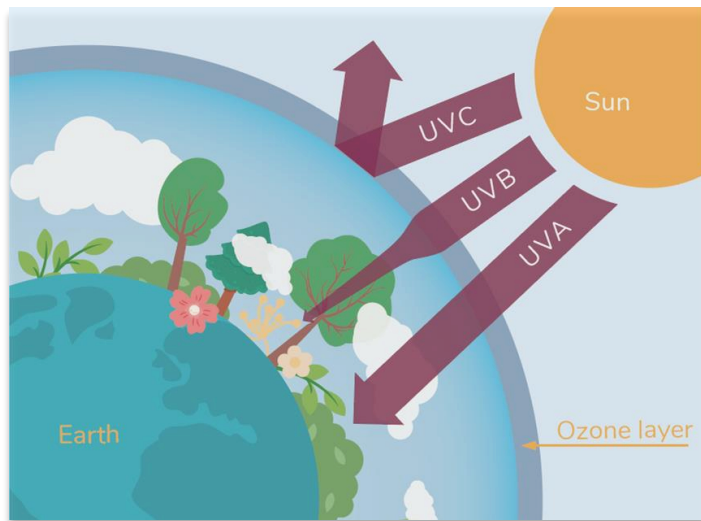
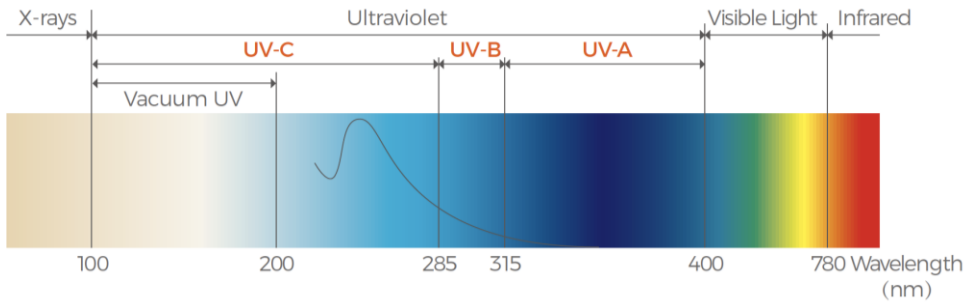
Household

UV-C Disinfection Principle

UV-C: 100-285nm, (UVC LED produces UV lights at wavelength between 260-285nm that can destroy DNA/RNA of germs and bacteria effectively)

UV-B: 285-315nm, Protein analysis, Light therapy in medicine mostly

UV-A: 315-400nm, Curing of polymers and printer inks

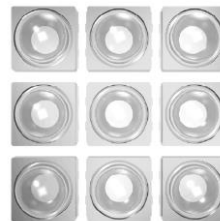


Scan & See in Action

UV-C LED used to be an expensive technology, costing more than their weight in gold

UV-C LEDs were originally developed by Sensor Electronic Technology, Inc. in the USA to disinfect water for astronauts. The cost of each diode was about US \$1,400/PCS at that time. As recently as 2017 the price of each diode was still US\$20/PCS.

Nowadays, driven by 59S's innovative technology, UV-C LEDs are becoming consumer products and coming into our lives.

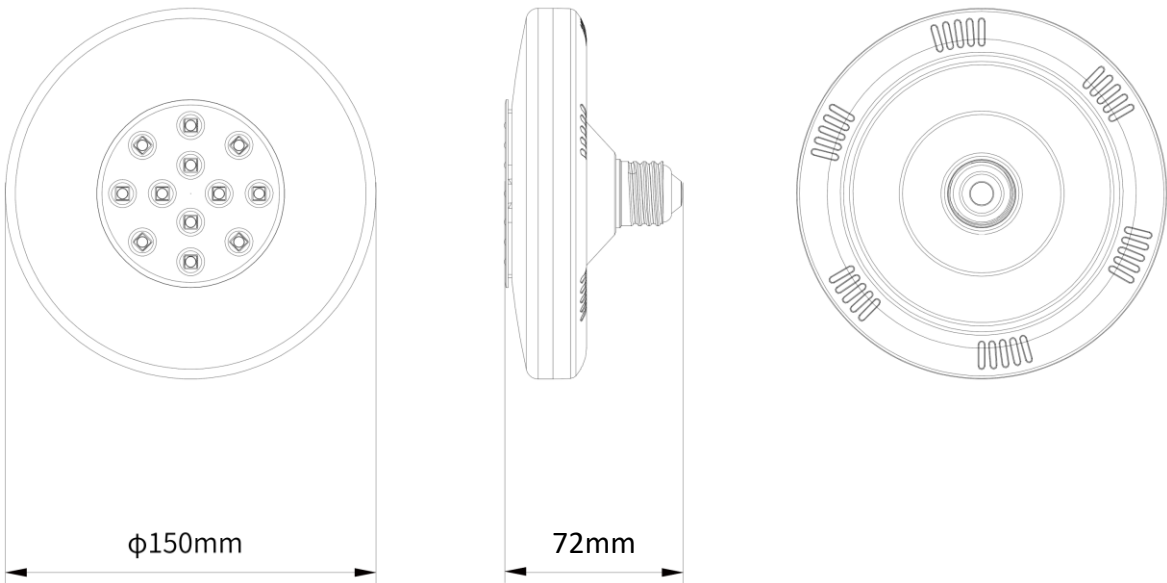


Vs



	UVC LED	UVC Tube
Lighting Source	Semiconductor	Mercury
Lifespan	Up to 10,000 hrs	Up to 3,000 hrs
Ozone	Ozone-Free	UV rays at wavelength of 184nm will decompose the oxygen into ozone, Ventilation is necessary after disinfection.
Eco-friendly	Yes	Ozone & mercury are toxic. The Minamata Convention issued by the UN will enter into force in 2020, and the manufacturing of mercury-related products will be banned.

Dimensions



Packaging Data

Model	Sunclean bulb light -18w
Inner Box Size	180x78x182
Carton Size	560x488x385
Net Weight	8.64kg
Gross Weight	TBD



Warning

Do NOT expose Directly to eyes and skin During Disinfection!



Learn more about Sunclean Lighting
Visit: <https://youtu.be/4FglYQYB1qY>

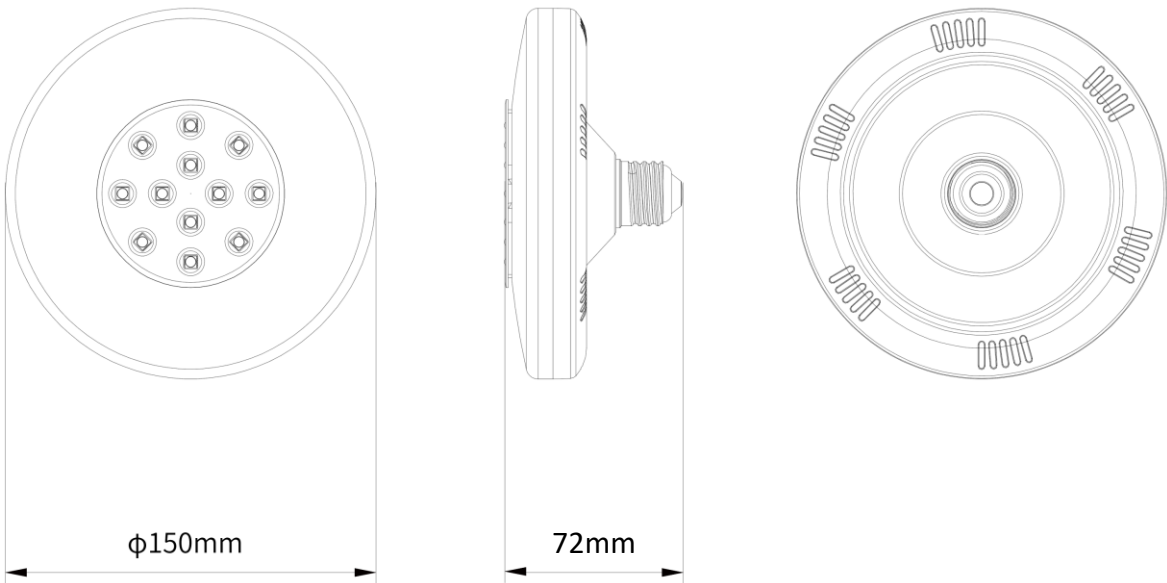
信息待补充

59S Technology, Inc.

· M/W: +86 134 2180 1592 · Email: renhom@59s.com

· Web: www.59s.com

Dimensions



Packaging Data

Model	Sunclean bulb light -24w
Inner Box Size	202x78x202
Carton Size	488x422x424
Net Weight	10.28kg
Gross Weight	TBD



Warning

Do NOT expose Directly to eyes and skin During Disinfection!



Learn more about Sunclean Lighting
Visit: <https://youtu.be/4FglYQYB1qY>

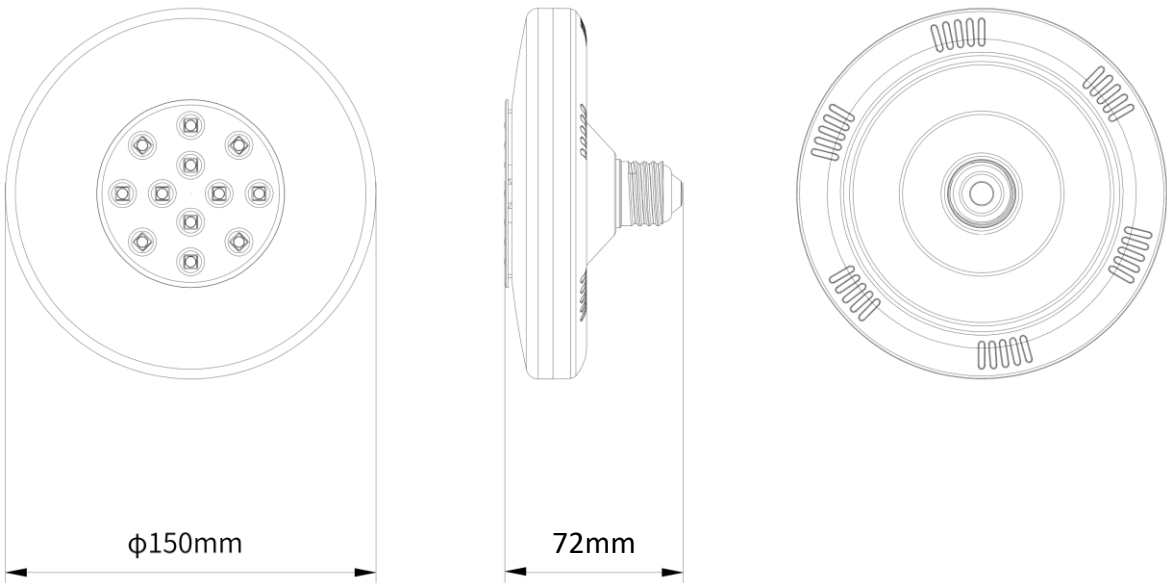
信息待补充

59S Technology, Inc.

· M/W: +86 134 2180 1592 · Email: renhom@59s.com

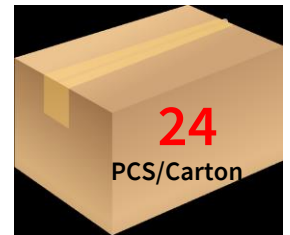
· Web: www.59s.com

Dimensions



Packaging Data

Model	Sunclean bulb light -30w
Inner Box Size	202x78x202
Carton Size	488x422x424
Net Weight	7.92kg
Gross Weight	TBD



Warning

Do NOT expose Directly to eyes and skin During Disinfection!



Learn more about Sunclean Lighting
Visit: <https://youtu.be/4FglYQYB1qY>

信息待补充

59S Technology, Inc.

· M/W:+86 134 2180 1592 · Email: renhom@59s.com

· Web: www.59s.com